

# Horizontal Test Jack Insulated Miniature

## SPECIFICATIONS

**Contact:** Copper aluminum alloy\*

**Finish:** Silver

**Body:** Nylon 6/6 per ASTM D4066

## RATINGS

**Current:** 5 amps

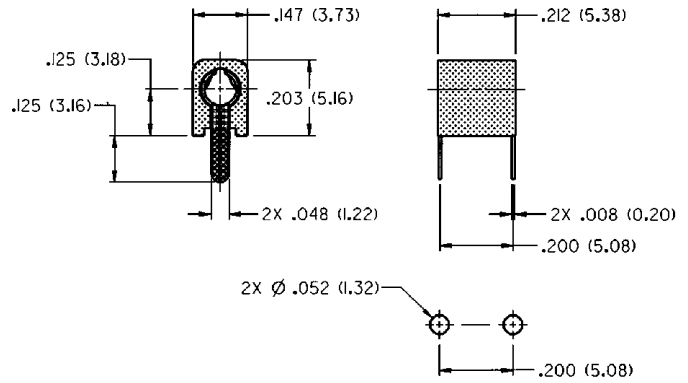
**Breakdown Voltage:** 2100 Vrms minimum +

**Contact Resistance:** 0.010 ohms maximum

**Adjacent Jack C:** 1 pF maximum at 1 MHz



**JOHNSON**  
Components™  
INCHES (MILLIMETERS)  
CUSTOMER DRAWINGS AVAILABLE UPON REQUEST



SILVER PLATING	
PART NO.	COLOR
105-1103-001	Black

For Standard Tip Plug: .080 (2.00) Diameter

## FEATURES:

- Contact protected from flux and solder
- Probe access from both ends
- Nylon UL approved for self extinguishing

\* A new material development that, for this application, meets or exceeds beryllium copper.

MOUNTING HOLE LAYOUT